

# TruLight 1000

## Examination Light



Lighting data	TruLight 1000
Central illuminance at 1,0 m distance (lux)	80,000
Dimmable from / to	100 – 30%; 3 steps
Focussable size of pattern size (d10) at 1.0 m (cm)	16.0 cm (6.30")
d50 / d10 Ratio	~ 0.57
d50 (cm)	9 cm (3.54")
Colour Temperature (K)	4,500
Colour Rendering Index CRI	95
Colour Rendering Index R9 (blood)	90
Colour Rendering Index R13 (tissue)	98
Irradiance (W/m <sup>2</sup> ) <sup>2</sup>	290
Irradiance / Intensity ratio (mW/m <sup>2</sup> lx) <sup>1</sup>	3.53
Depth of illumination (L1 + L2) at 20% Ec / 2 <sup>nd</sup> Edition (cm)	140 cm (55.11")
Depth of illumination (L1 + L2) at 60% Ec / 3 <sup>rd</sup> Edition (cm)	93 cm (36.61")
Average service life of the LEDs (h)	> 40,000

Registration data	TruLight 1000
Classification (MDD)	1
Classification (FDA)	2
Mark of conformity	CE, UL

Device versions	TruLight 1000
Ceiling-mounted	x
Mobile stand	x
Pendant-mounted	x
Wall-mounted	x

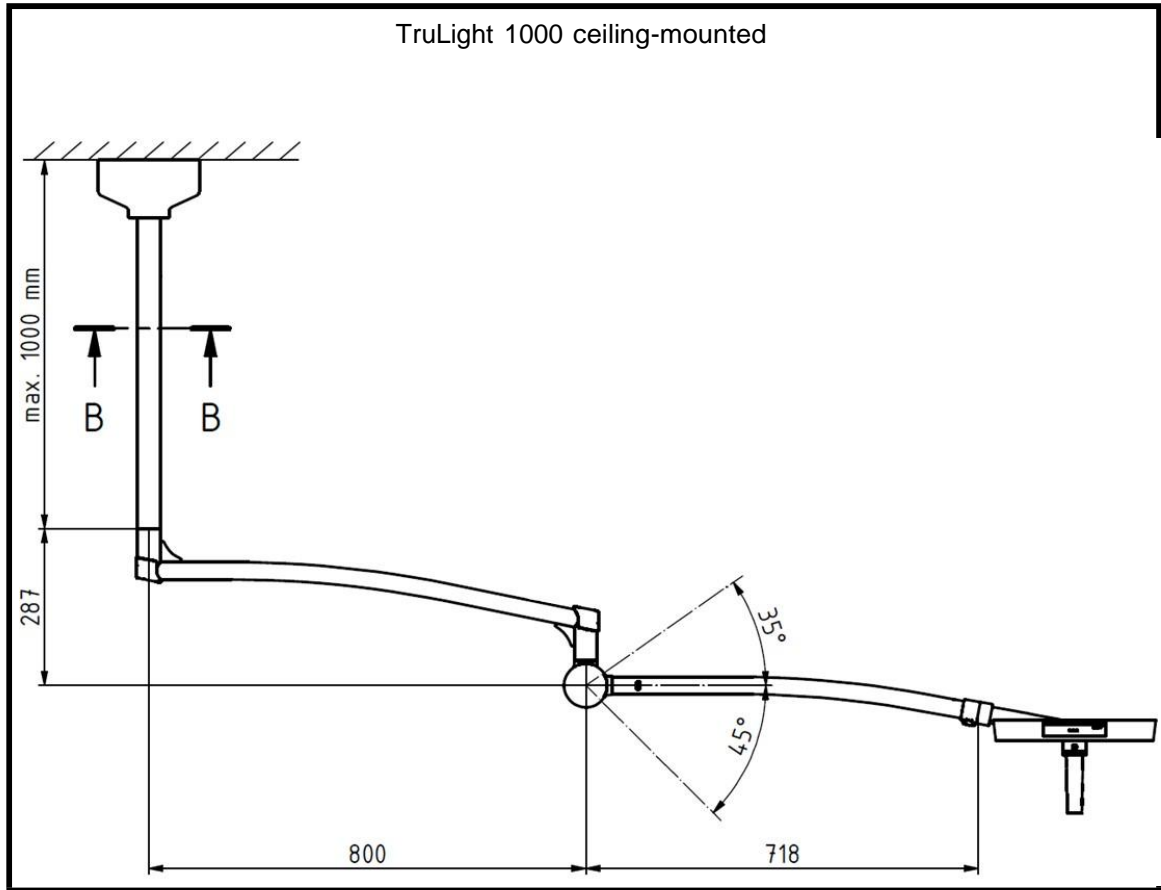
<sup>1</sup> At a distance of 0.85m

<sup>2</sup> For 80,000 lux in 1.0m distance

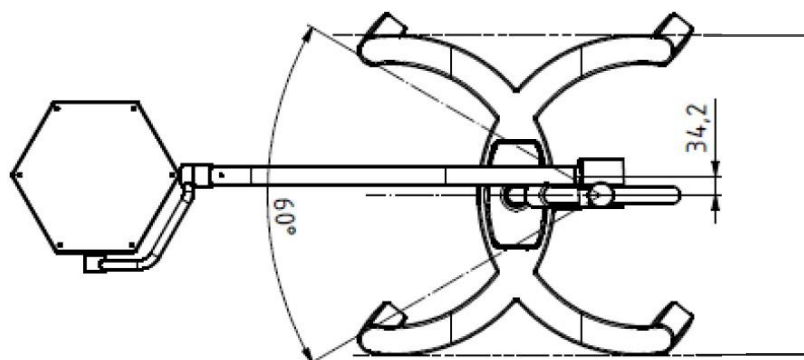
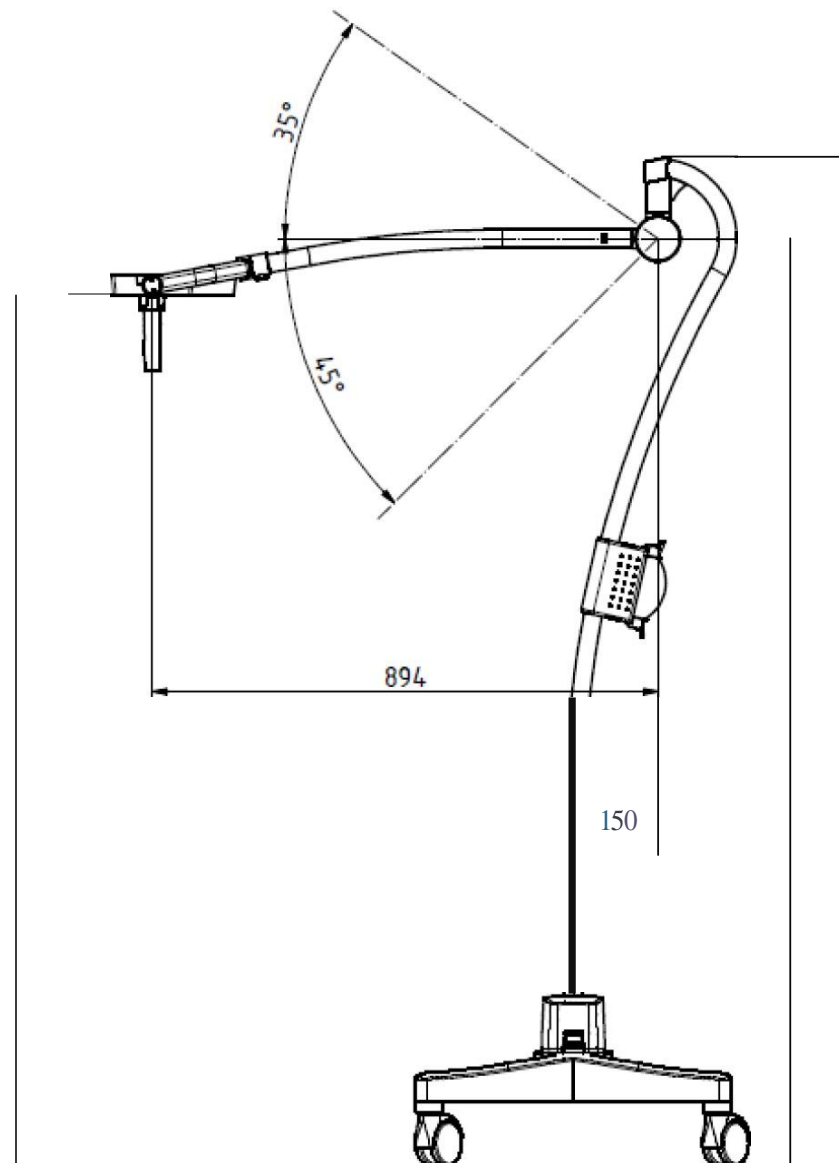
Electrical data	TruLight 1000
Power pack supply voltage	100 – 240 V AC 50/60 Hz
Power pack supply voltage DC-DC box	24 V DC (±10%)
Maximum power consumption of total system (VA)	50 VA
Maximum thermal load of the light head (W)	20 W

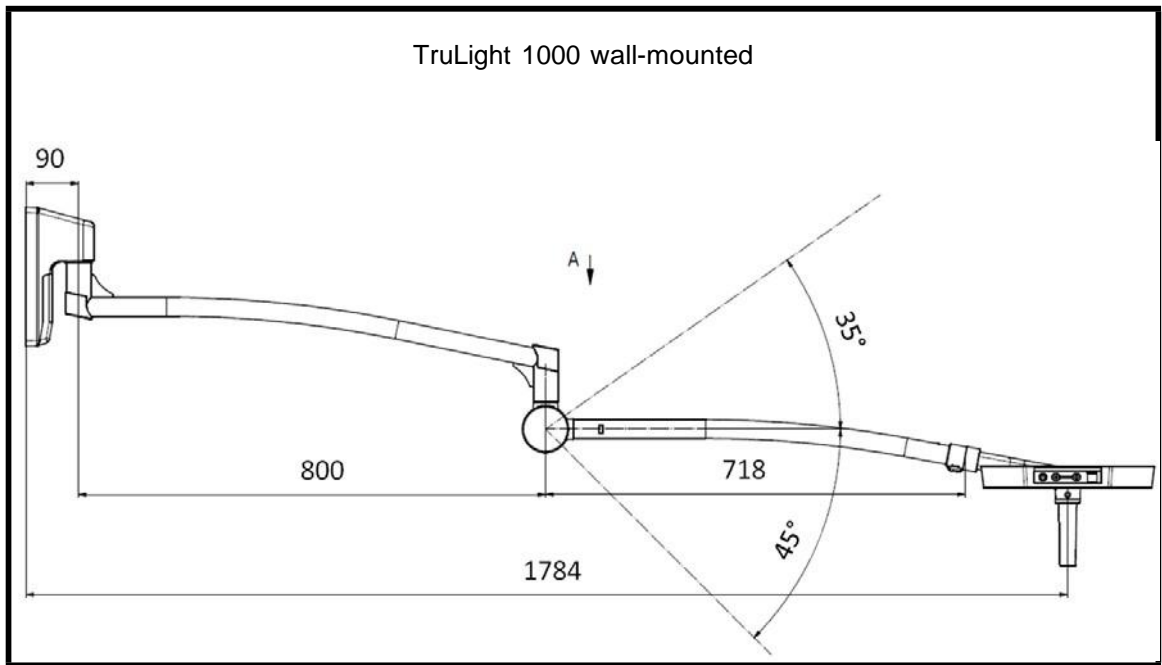
Mechanical data	TruLight 1000
Light-emitting surface (cm <sup>2</sup> )	240 cm <sup>2</sup> (94.48 in <sup>2</sup> )
Laminar flow surface (cm <sup>2</sup> )	340 cm <sup>2</sup> (133.86 in <sup>2</sup> )
Light head size (mm)	300 mm (11.81")
Weight of light head (incl. cardanic) (kg)	2.4 kg (5.29 lbs)

TruLight 1000 ceiling-mounted



TruLight 1000 mobile stand





Subject to modifications.