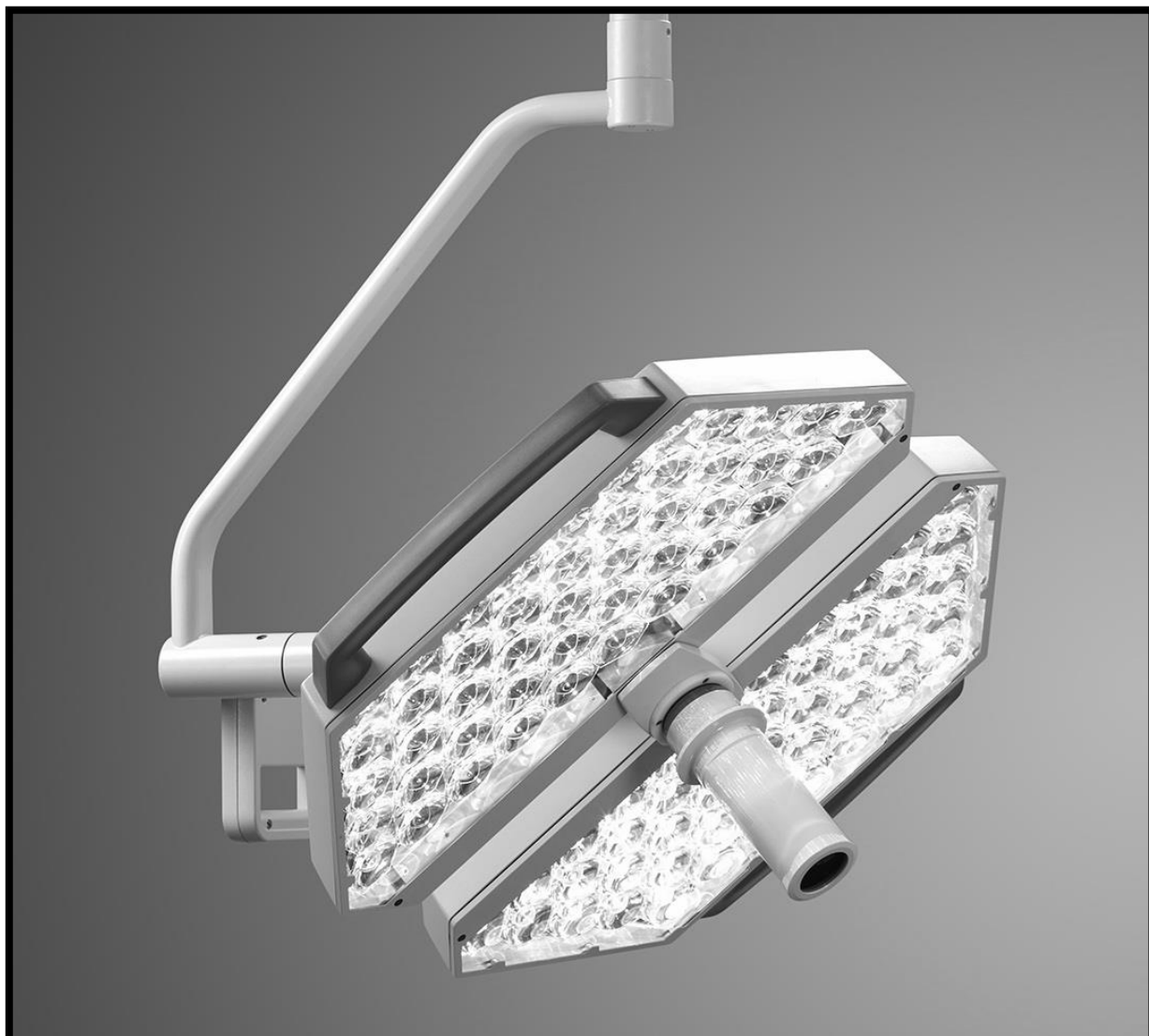


# TruLight 5000

Light for all applications



Features	TruLight			TruLight		
	5500	5510	5520	5300	5310	5320
Adaptive Light Control (ALC)	X	X	X	X	X	X
Adaptive Light Control Plus (ALC plus)		X <sup>1</sup>	X		X <sup>1</sup>	X
Sterile Light Control (SLC)			X			X
Compatible with 3D HD Camera		X			X	
Parallel 2D and 3D signal		X			X	

Lighting Data	TruLight			TruLight		
	5500	5510	5520	5300	5310	5320
Illumination Level at 1.0 m (Lux)	160,000			140,000		
Illumination Level at 1.2 m (Lux)	Max. 100,000	Max. 160,000 <sup>1</sup>	Max. 160,000	Max. 90,000	Max. 140,000 <sup>1</sup>	Max. 140,000
Is there a visual influence on illumination level when adjusting pattern size?						
At 1.0m distance	no	no	no	no	no	no
At 1.2m distance	no	no <sup>1</sup>	no	no	no <sup>1</sup>	no
Dimmable from / to	100 – 40%; < 10% endo					
Pattern size variable through distance variation between 0.8m and 1.2m distance (cm)	16 – 30 (6.3" – 11.8")			16 – 30 (6.3" – 11.8")		

	TruLight 55x0		TruLight 53x0	
	Narrow pattern size	Wide pattern size (Feature)	Narrow pattern size	Wide pattern size (Feature)
Pattern size (d10) at 1.0 m (cm)	16 (6.3")	23 (9.1")	16 (6.3")	23 (9.1")
Illumination level at 1.0 m (lux)	160,000	160,000	140,000	140,000
d50 / d10 ratio	~ 0.56	~ 0.48	~ 0.60	~ 0.52
d50 (cm)	9 (3.5")	11 (4.3")	9.6 (3.6")	12 (4.7")
Single color temperature (K) <sup>2</sup>	Standard: 3,500; 4,000; 4,500 or 5,000			
Color temperature adjustable at the control panel	Optional: 3,500; 4,000; 4,500 and 5,000			
Upgrade of adjustable color temperature without exchanging lighthouse	yes			
Color rendering index Ra	max. 96		max. 96	
Color rendering index R9 (blood)	max. 97		max. 97	
Color rendering index R13 (tissue)	max. 98		max. 98	
Irradiance (W/m <sup>2</sup> ) <sup>3</sup>	676		620	
Irradiance / intensity ratio (mW/m2lx)	3.59	3.62	3.66	3.66

<sup>1</sup> With camera module installed.

<sup>2</sup> Can be chosen during initial installation

<sup>3</sup> At a distance of 0.9m

Subject to changes.

	TruLight 55x0				TruLight 53x0			
	Narrow pattern size		Wide pattern size (Feature)		Narrow pattern size		Wide pattern size (Feature)	
Remaining illumination with 1 mask (lux)	59%	94,400	76%	121,600	29%	40,600	58%	81,200
Remaining illumination with 2 masks (lux)	43%	68,800	49%	78,400	41%	57,400	43%	60,200
Remaining illumination with tube (lux)	98%	156,800	94%	150,400	100%	140,000	100%	140,000
Remaining illumination with tube and 1 mask (lux)	58%	92,800	70%	112,000	29%	40,600	58%	81,200
Remaining illumination with tube and 2 masks (lux)	43%	68,800	45%	72,000	41%	57,400	43%	60,200



Depth of Illumination	TruLight 55x0		TruLight 53x0	
	Narrow pattern size	Wide pattern size (Feature)	Narrow pattern size	Wide pattern size (Feature)
Depth of illumination (L1 + L2) at 20% Ec / 2 <sup>nd</sup> Edition (cm)	95 (37.4")	94 (37.0")	94 (37.0")	96 (37.8")
Depth of illumination (L1 + L2) at 60% Ec / 3 <sup>rd</sup> Edition (cm)	60 (23.6")	60 (23.6")	51 (20.1")	51 (20.1")
Average service life of the LEDs (h)	> 60,000			

Registration data	TruLight			TruLight		
	5500	5510	5520	5300	5310	5320
Classification (MDD)	1					
Classification (FDA)	2					
Turbulence degree (%)	35			36		
Mark of conformity	CE, UL					

**Electrical data**

	TruLight			TruLight		
	5500	5510	5520	5300	5310	5320
Power pack supply voltage	100 – 240 V AC 50/60 Hz					
Power pack supply voltage DC-DC box	22 – 32 V DC 22 – 26.4 V AC					
Light head power consumption (VA) <sup>4</sup>	65					
Maximum power consumption (total system) (VA)	120	160	160	110	140	140
Voltage at ceiling mounting point (V)	48					

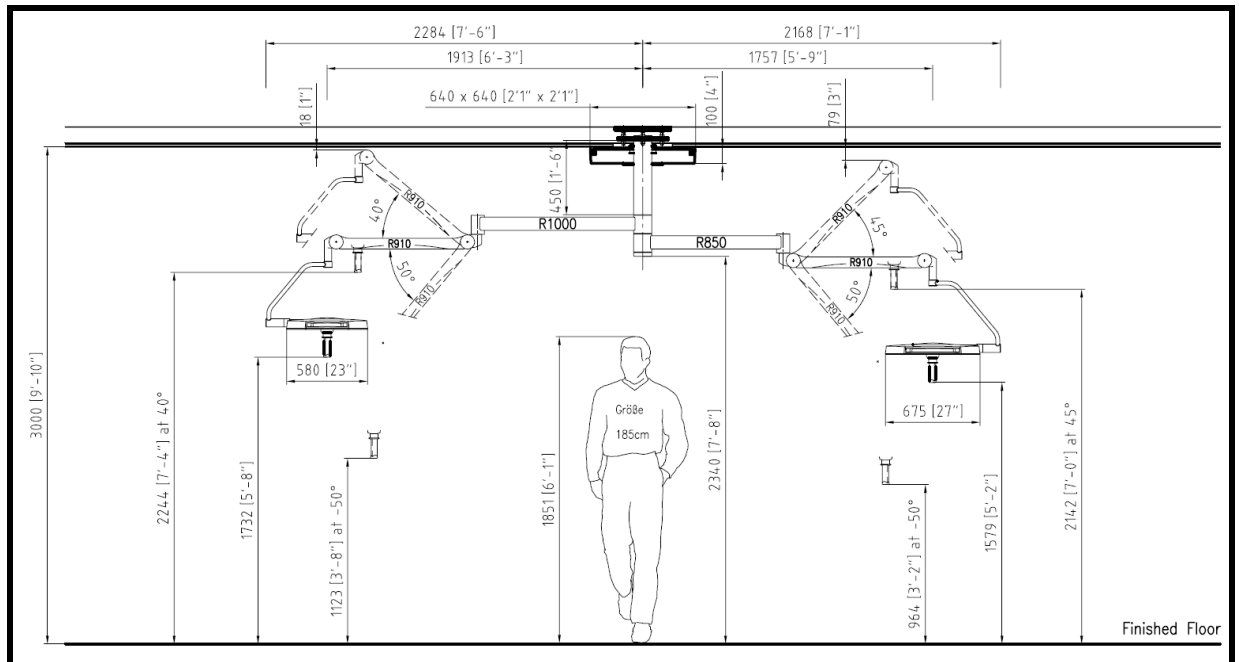
**Mechanical data**

	TruLight			TruLight		
	5500	5510	5520	5300	5310	5320
Light emitting surface (cm <sup>2</sup> )	1,892 (293.3 in <sup>2</sup> )			1,332 (206 in <sup>2</sup> )		
Laminar flow surface (cm <sup>2</sup> )	3,100 (480.5 in <sup>2</sup> )			2,100 (326 in <sup>2</sup> )		
Diameter of ceiling plate (square) (mm)	340 (13.4")					
Light head size (with handles) (mm)	730 (28.7")			640 (25.2")		
Light head size (without handles) (mm)	675 (26.6")			580 (22.8")		
Weight of light head (incl. cardanic) (kg)	16.1 (35.5 lbs)	17.2 (37.9 lbs)	16.4 (36.2 lbs)	12.9 (28.4 lbs)	13.9 (30.6 lbs)	13.2 (29.1 lbs)
Maximum Weight for Single Light System (N)	1,600 (360 lbf)					
Maximum Torque for Single Light System (Nm)	1,600 (1180 lbf ft)					
Maximum Weight for Duo Light System (N)	2,500 (562 lbf)					
Maximum Torque for Duo Light System (Nm)	2,500 (1844 lbf ft)					
Maximum Weight for Trio Light System (N)	2,800 (630 lbf)					
Maximum Torque for Trio Light System (Nm)	2,800 (2065 lbf ft)					
Maximum Weight for Quad Light System (N)	3,300 (742 lbf)					
Maximum Torque for Quad Light System (Nm)	3,300 (2434 lbf ft)					
<b>Tandem</b>	1651418			0337326		
						
Maximum Weight for Tandem Light System (N)	5,000 (1124 lbf)			7,000 (1574 lbf)		
Maximum Torque for Tandem Light System (Nm)	5,000 (3688 lbf ft)			7,000 (5163 lbf ft)		

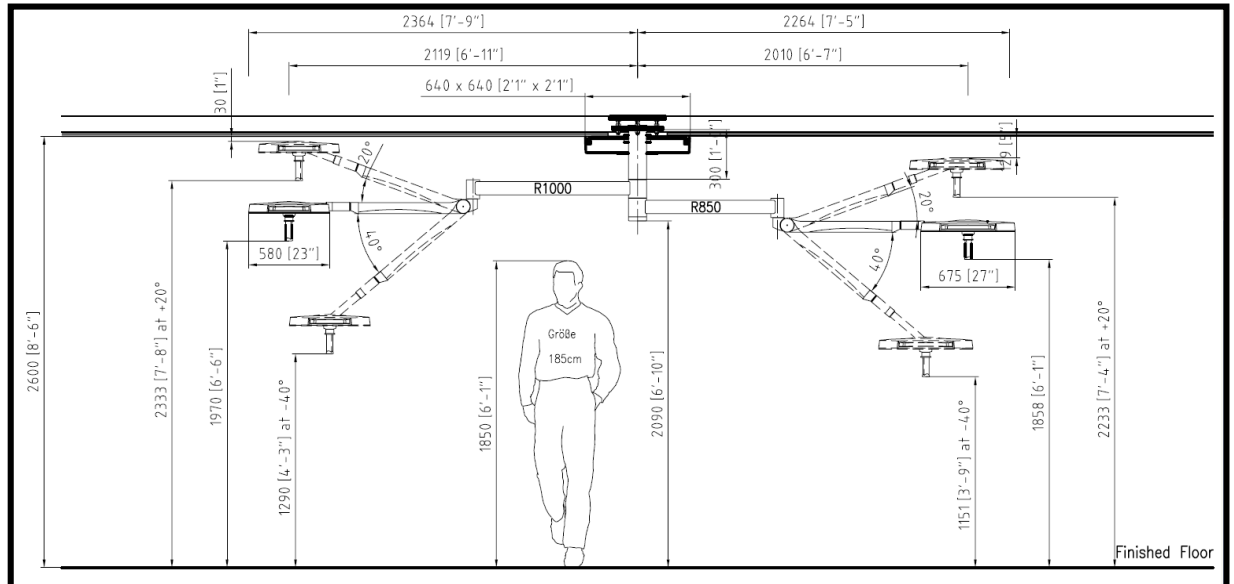
Subject to changes.

<sup>4</sup>For illuminaton of 160,000 lux at a distance of 1.0 m

**Combination: TruLight 5500 / TruLight 5300 (Standard room height)**



**Combination: TruLight 5500 / TruLight 5300 (Low ceiling room height)**



Subject to changes.